

## Installation Guidelines

### Brickstream 1100 Series People Counting Device

#### **About the Brickstream 1100 Series:**

The Brickstream 1100 is a low-cost, self-contained, analytics device that provides accurate people counting in indoor environments with low to medium traffic volumes and consistent lighting. Traffic data is collected in real-time and streamed from the device over a network connection to a target location for reporting.



#### **Basic requirements:**

- The device should be installed in (or on) the ceiling inside the entrance to the area being monitored looking directly down.
- The installation height for the device should be between 2.4 and 4.6m.
- The width of entry that the device can cover will be determined by the installed height. The higher the device is mounted the wider the coverage. For wide entries more than 1 device may be required. This document details typical coverage widths relative to installed height.
- Each unit requires a dedicated Cat 5/6 data cable run from the local network data switch to the point at each nominated entrance where the unit is to be installed in the ceiling.
- The device is powered over the network cable so no separate power cable is required. The network Switch / Router will however need to have POE capability (Class 1)

## Installation height and entrance coverage:

Brickstream 1100 series device coverage relative to installation height with standard 2.0mm Lens is detailed below

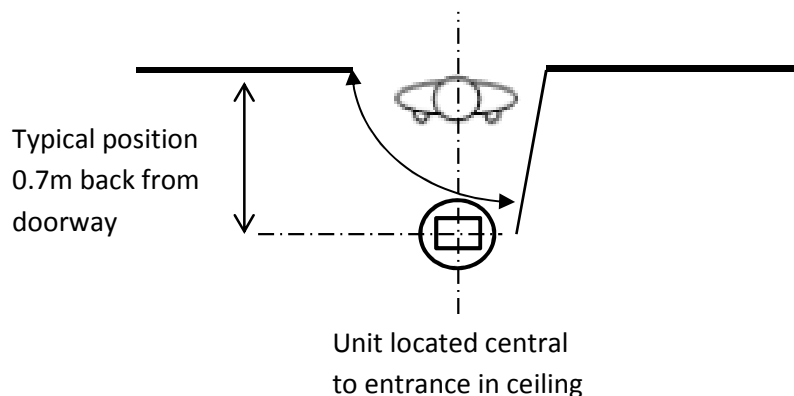
To use the chart below first determine the proposed installed height of device.

The chart details the expected entrance width and depth ( the depth is the distance measured in the direction of travel through the entry) that the device will cover .

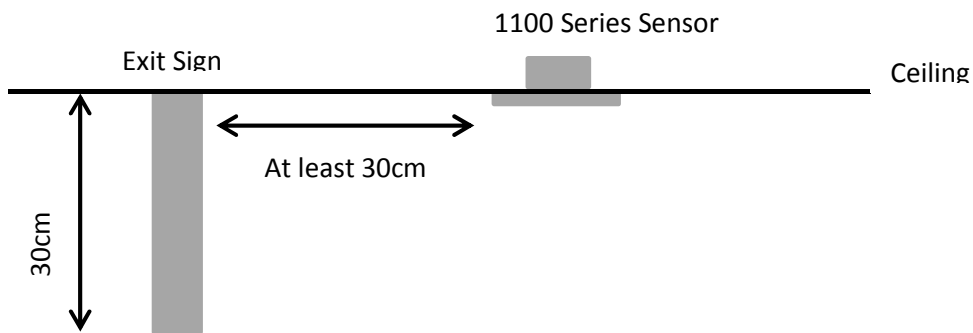
Installed Height (m)	Maximum Entrance Width (m)	Depth of Coverage (In / Out) m	Zoom Setting
2.4	1.8	1.4	Full
2.5	2.0	1.5	Full
2.6	2.2	1.7	Full
2.7	2.4	1.8	Full
2.8	2.6	2.0	Full
2.9	2.9	2.1	Full
3.0	3.1	2.3	Full
3.1	3.3	2.5	Full
3.2	3.5	2.6	Full
3.3	3.7	2.8	Full
3.4	3.9	2.9	Full
3.5	4.1	3.1	Full
3.6	4.3	3.2	Full
3.7	4.5	3.4	Full
3.8	4.7	3.5	Full
3.9	4.9	3.7	Full
4.0	5.1	3.9	Full
4.1	4.3	3.2	Full
4.2	4.4	3.3	2
4.3	4.6	3.5	2
4.4	4.8	3.6	2
4.5	4.9	3.7	2
4.6	5.1	3.8	2

### Selecting the location and number of devices:

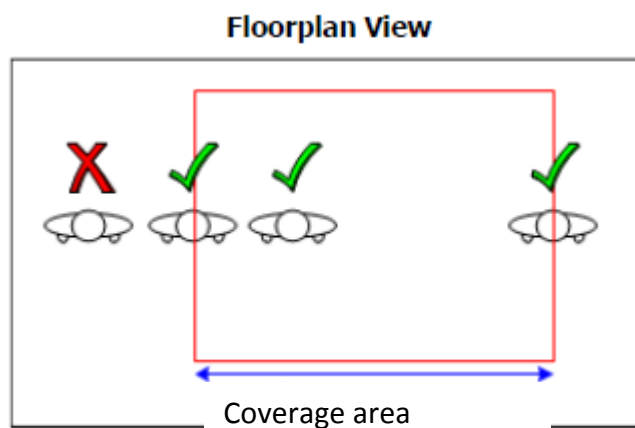
- The device should be installed in (or on) the ceiling inside the entrance to the area being monitored
- The ceiling in should be level
- The device should be installed looking directly down.
- The device should be mounted so that it is as close as possible to the centre of the entry.
- The floor in the vicinity of the proposed location should be reasonably level. (mounting over stairs or highly sloped surfaces is not recommended).
  
- The installed height for the device should be between 2.4 and 4.6m.
- Refer to the coverage chart on the previous page and ensure that at the proposed mounting height the device will have sufficient coverage for the width of the entry.
- Try to position the unit around 0.7m back from moving doors walls and for optimal performance.



- Try to avoid areas with obstructions mounted on the ceiling such as exit signs .  
If this is unavoidable the sensor should be set back from the obstruction at least as far as the depth of the obstruction measured from the ceiling so that it can maintain a clear view of the entry – see below

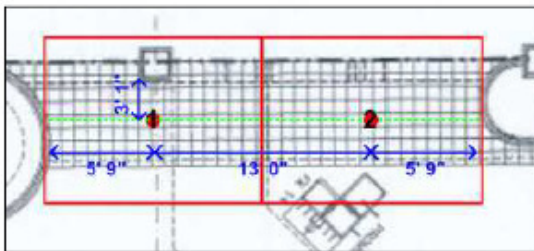


- If the entry is wider than the coverage capability then 2 or more devices will be required.



- When using 2 devices continuous coverage is required to avoid gaps in detection. Overlap in the coverage is OK

**Wide Doorway w/ Perfect Boundary**



**Wide Doorway w/ Overlap (This is OK!)**

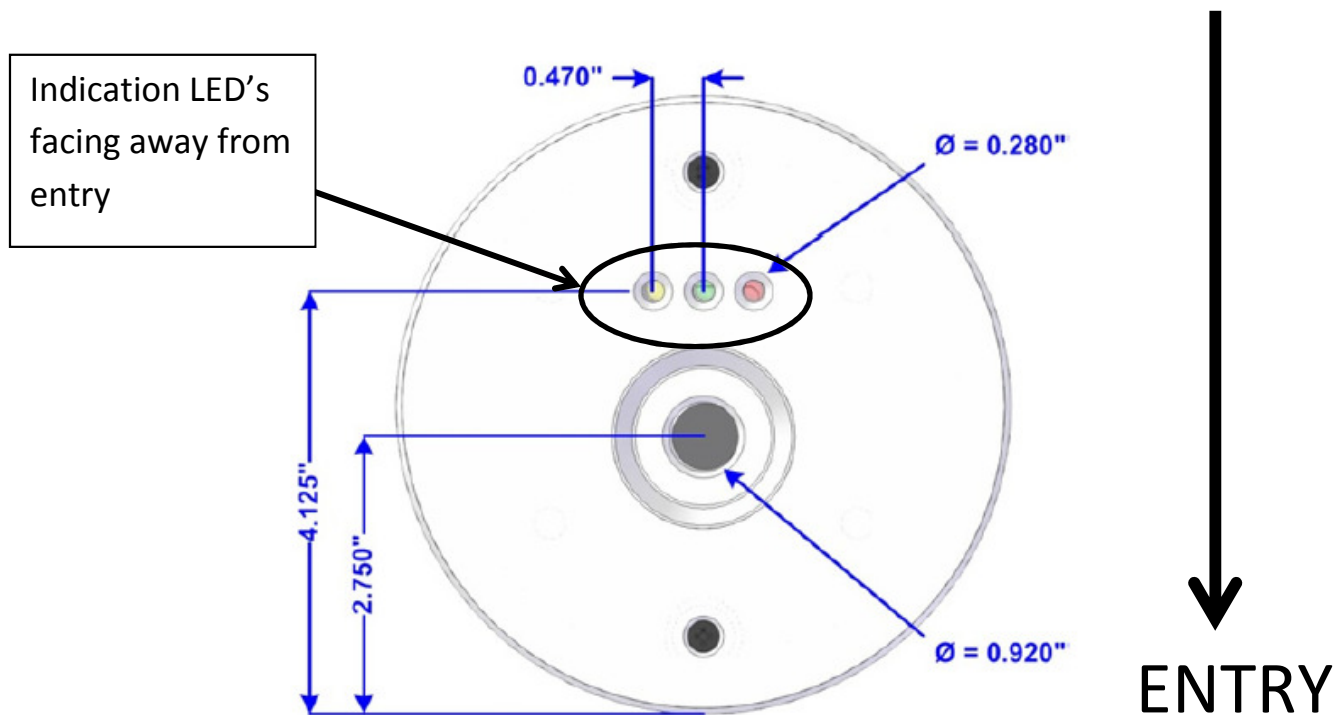


### Installation:

- When running the network cable be sure to leave approximately 1m of spare cable as a maintenance loop at the device location.
- The preferred mounting arrangement for dropped / plasterboard ceilings with an open void is the flush mount pictured below.
- The mount requires a 128mm (5") clearance hole in the ceiling.
- The 1100 series device is inserted into the mount and secured by two attached tension clips.
- The mount grips the unexposed portion of the ceiling panel with two swivelling clamps.

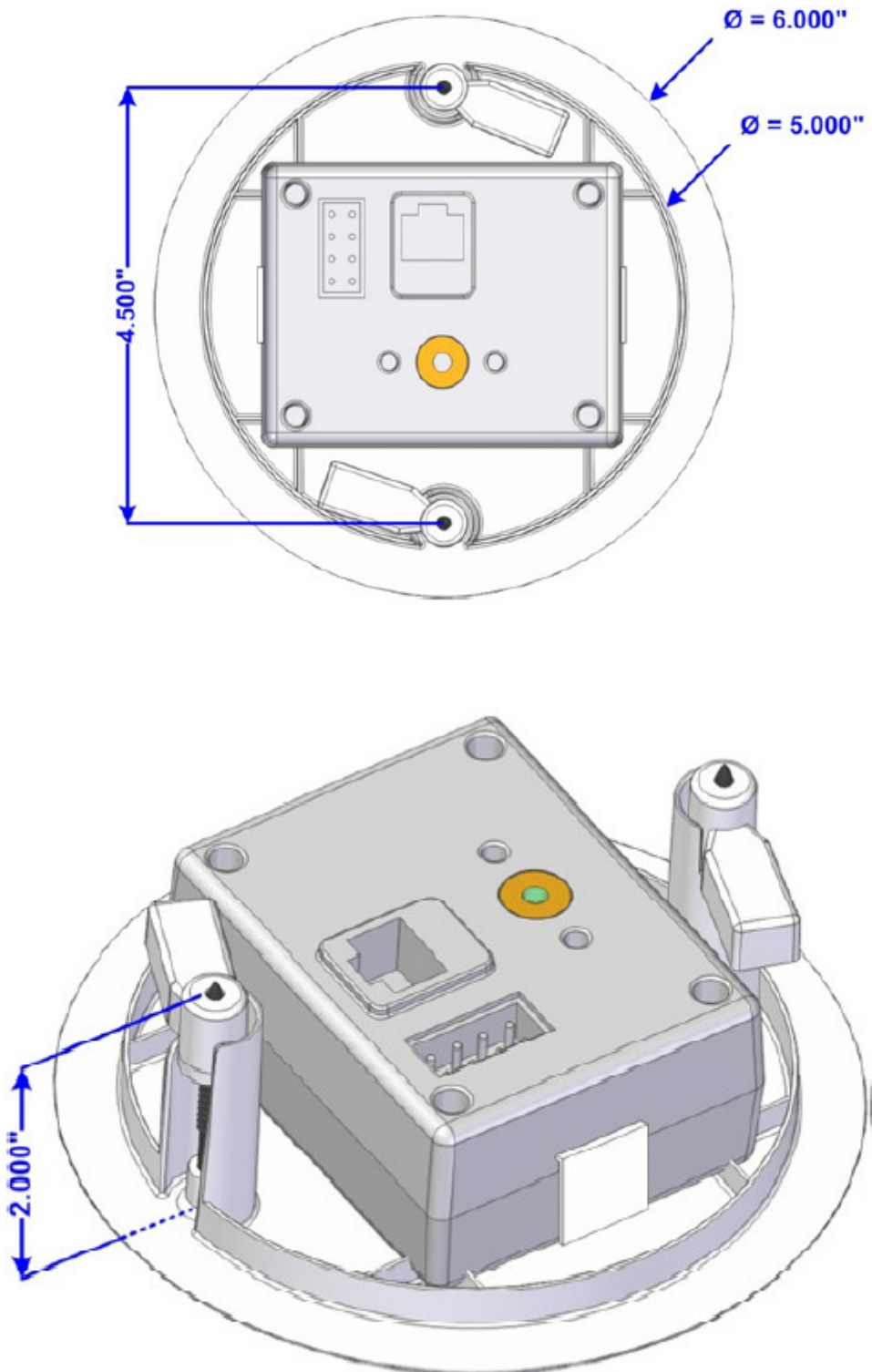
**NOTES:** Installing all units in the same orientation is important for consistency  
The device should be installed with the row of 3 indication LED's facing away from the entry. This will place the entry at the top of the image when viewed on a computer screen

For instances where the flush mount is not suitable a surface mount housing and other options are available



Orientation of the mount in the ceiling relative to the entry

Be consistent !



**Support:**

For installation and sales support please contact :

**Tel 1800 094 210**